



North Atlantic Industries

Excellence in ALL we do

I/O Boards • Single Board Computers • Power Supplies  
Embedded Systems • Instruments

Q3 Newsletter

September 2011

New Products



**New Input Power Line Conditioner with Holdup Capability**

*3U CPCI +28Vdc IN Power Line Conditioner Combines Conditioning and Holdup into one Compact Unit*

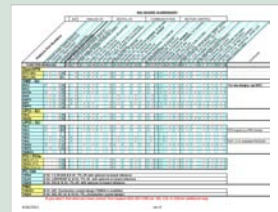
44LS1

With the 44LS1 our customers get the added capability of meeting strict input power requirements in a compact rugged COTS package. [More...](#)

[Specification](#)

[Press Release](#)

**Coming Soon**



**Updated and Enhanced I/O and Power Supply Product Reference Guides**

- New expanded version I/O Product Reference Guides to include all new function modules and more...
- Updated Power Supply Reference Guides to include all VPX Power Supply products

**New 3U cPCI/6U VME Layer 2+ Unmanaged, 12-Port, Gigabit Ethernet Switch Module with Extremely Low Power Consumption**

*Rugged Switch Module is Highly Configurable and Ideally Suited for SWaP Applications*

The H2 Module Switch is a rugged 3U cPCI/6U VME Gig-E switch module that supports inter-processor or card-to-card communications and can be configured on a VME or cPCI board platform enabling the integration of up to 12 ports of 10/100/1000BASE-T switching for space, weight and power-constrained applications. [More...](#)



6U VME 3U cPCI

[Press Release](#)



**Product Briefs are here**

Single page, double-sided product sheets for each product line including: Multi-function I/O Boards, SBC's, Rugged Subsystems, Power Supplies and Benchtop & VXI Instruments. See sample above. Pdfs of all will be posted to our website asap.

**Sensor Interface Unit (SIU3-5)**



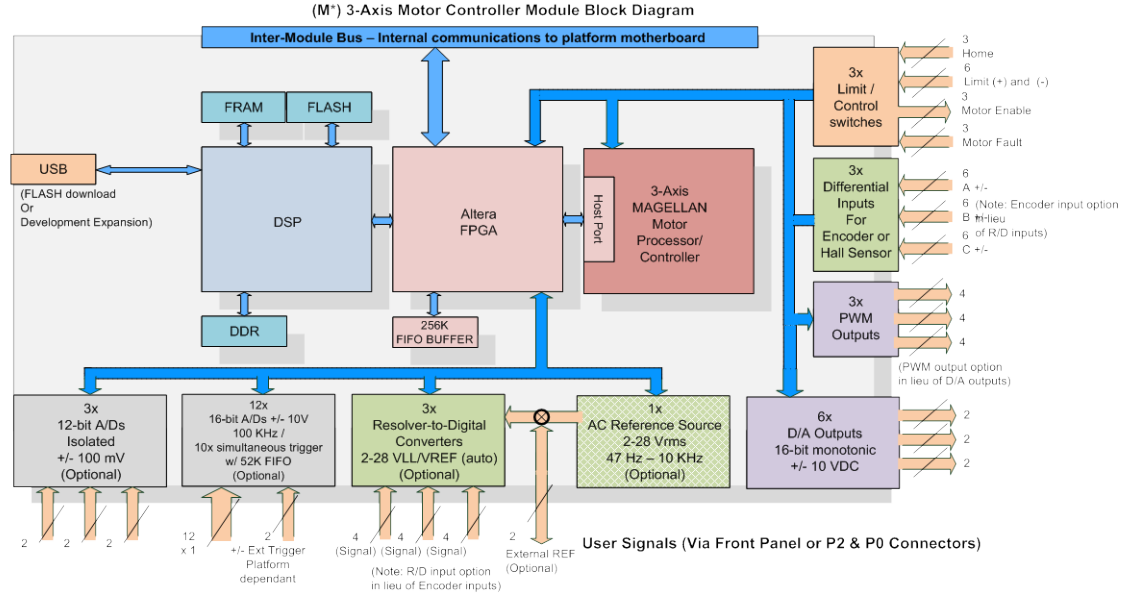
SIU3-5

The SIU3-5 is a packaged, turn-key **Embedded I/O System** for data acquisition, distribution and processing applications. Taking advantage of our single board computer, high density multi-function I/O and power supply products, the SIU3-5 offers unprecedented Intelligent I/O in an integrated, compact, conduction-cooled system. [More...](#)

[Data Sheet](#)

## Motor Control (Module M\*)

Built around the Magellan MC52320 Motion Controller, the MC52320 control processor and its associated IO controller can be configured to control up to three motors for three-axis motion control. The M\* module may be used with DC-Brush motors or Brushless DC motors having external commutation; two-phase or three-phase sinusoidal commutated motor signals in PWM brushless servomotors.



## Advertisement



## Up to 136 Programmable Discrete I/O Channels...on One Rugged Board

Only NAI delivers high density 0 - 60VDC discrete I/O with a multitude of valuable user programmable features. More [\(link to pdf\)](#)

## Featured Article

### All Discretes are not Created Equal

By Amir Shafy (as featured in MES Magazine)

In modern military, aerospace, and industrial control systems, the Discrete I/O interface is so common it is often overlooked in the early design integration phase. This can lead to missed operational envelope considerations and other interfacing issues that might yield further complexity, increased cost, and missed operational Size, Weight, and Power (SWaP) savings. Meanwhile, Discrete I/O interfaces have evolved from basic On/Off 'workhorses' into more sophisticated, intelligent devices that meet the challenges of designing control systems with Discrete I/O applications. [More...](#)